

Circulation Valve Upgrade Kits

312070B

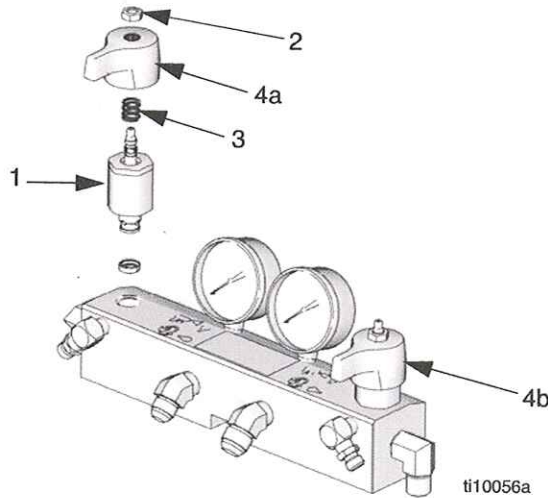
To replace circulation valves on Graco fluid manifold.



Important Safety Instructions

For complete instructions and warnings see the corresponding system manuals.

- Circulation Valve Set Kit 255148**
- Circulation Valve Iso Kit 255149**
- Circulation Valve Resin Kit 255150**



Kits Includes:

Ref.	Part	Description	Qty
1†	255071	VALVE, drain, cartridge	2
2†	112309	NUT, hex, jam	2
3†	150829	SPRING, handle	2
4a‡	247788	HANDLE, iso (red)	1
4b★	247789	HANDLE, resin (blue)	1
5	113500	ADHESIVE	1
6✓	117792	GUN, grease	1
7✓	117773	GREASE	1

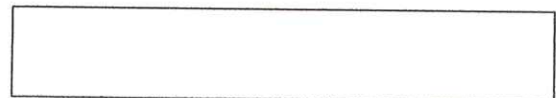
† Iso and Resin Valve Kits include quantity of 1.



‡ Not included in Resin Valve Kit 255150.

★ Not included in Iso Valve Kit 255149.

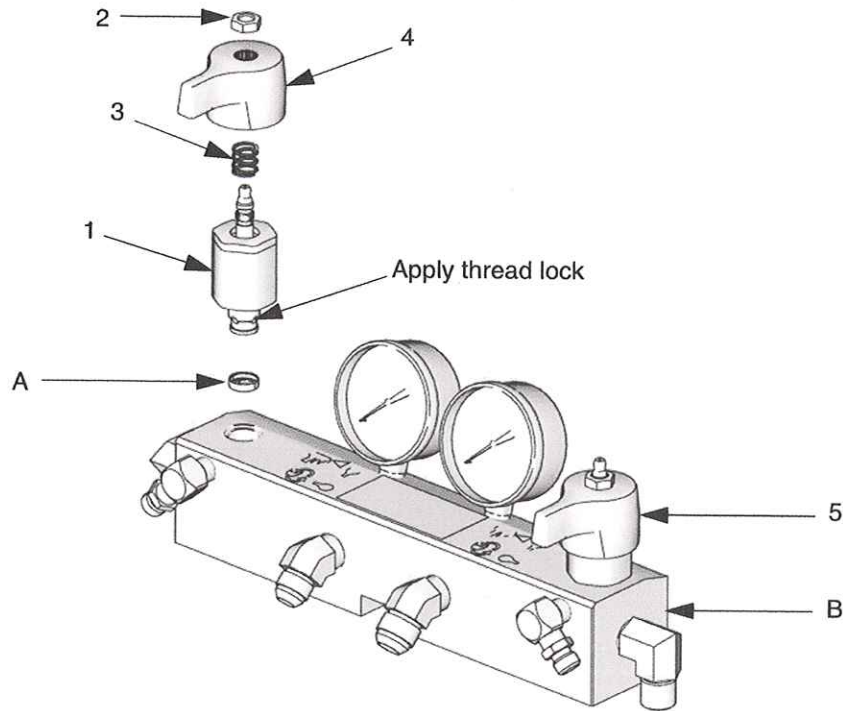
✓ Included with Circulation Valve Set Kit 255148 only.

PROVEN QUALITY. LEADING TECHNOLOGY.



						
<p>Before beginning, follow the Pressure Relief Procedure in Reactor Operation manual.</p>						

1. Ensure manifold (B) has been thoroughly cleaned. Remove any build up from ISO, resin, or old parts.
2. Ensure plastic gaskets (A) are attached to bottom of each valve (1).
3. Apply thread lock to threads on bottom of each valve (1).
4. Assemble valves into manifold (B). Torque valves (1) to 30-33 ft-lbs (41- 45 N•m).
5. Apply Fusion[®] grease (117773) to both ends of springs (3).
6. Place springs (3) over stems and onto valves (1).
7. Assemble blue handle (5) on right valve and red handle (4) on left valve by placing handle over stem and onto spring (3).
8. Reposition handles (5, 6), if needed, so handles are facing forward when valves are in CLOSED position.
9. Press down on top of handles and assemble nuts (2) to stems. Torque nut to 90-110 in-lbs (10-12 N•m).
10. Grease both valves with Fusion grease (117773) once a week.



ti10056a

All written and visual data contained in this document reflects the latest product information available at the time of publication. Graco reserves the right to make changes at any time without notice.

MM 312070

Graco Headquarters: Minneapolis
International Offices: Belgium, China, Japan, Korea

GRACO INC. P.O. BOX 1441 MINNEAPOLIS, MN 55440-1441

www.graco.com
 4/2007 Rev. 7/2007